

Flyin CWDM OADM Module(4,8,16,18-Channel)

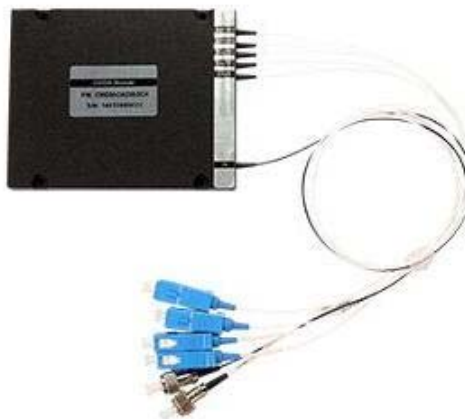
Flyin Optronics offers a full range of CWDM Mux-Demux and Optical Add Drop Multiplexer (OADM) units to suit all kinds applications and network solutions. Some most common ones are: Gigabit & 10G Ethernet, SDH/SONET, ATM, ESCON, Fiber Channel, FTTx and CATV.

Flyin Optronics' Coarse wavelength division multiplexer (CWDM Mux/Demux) utilizes thin film coating technology and proprietary design of non-flux metal bonding micro optics packaging. It provides low insertion loss, high channel isolation, wide pass band, low temperature sensitivity and epoxy free optical path.

Our CWDM Mux Demux products provide up to 16-channel or even 18-channel Multiplexing on a single fiber. Due the the low insertion loss is needed in WDM networks, we can also add "Skip Component" in a CWDM Mux/Demux module to reduce the IL as an option. Standard CWDM Mux/Demux package type include: ABS box package, LGX package and 19" 1U rackmount.

Features

- Low Insertion Loss
- Wide pass band
- High Channel Isolation
- High Stability and reliability
- Epoxy-free on Optical Path



Applications

- Line Monitoring
- WDM Network
- Telecommunication
- Cellular Application
- Fiber Optical amplifier

Specification

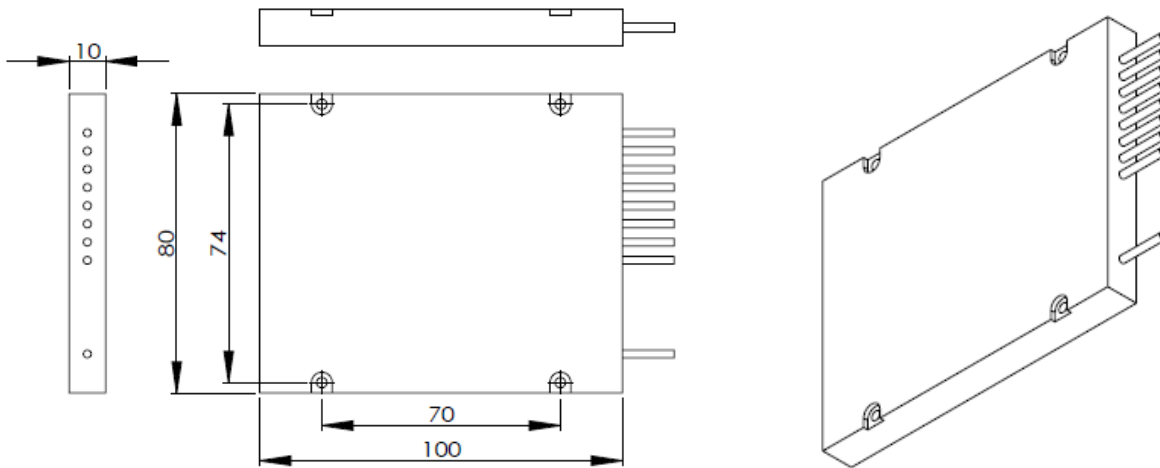
Parameter	4 Channel		8 Channel		16 Channel		18 Channel	
	Mux	Demux	Mux	Demux	Mux	Demux	Mux	Demux
Channel Wavelength (nm)	1270~1610/1271~1611							
Center wavelength Accuracy (nm)	±0.5							
Channel Spacing (nm)	20							
Channel Passband (@-0.5dB bandwidth (nm))	+/-7.5/+/-6.5							
Insertion Loss (dB)	≤1.5		≤2.5		≤3.5		≤3.5	
Channel Uniformity (dB)	≤0.6		≤1.0		≤1.5		≤1.5	
Channel Ripple (dB)	0.3							
Isolation (dB)	Adjacent		>30					
	Non-adjacent		>40					
Isolation (dB)	Express with filter		>30					
	Express without filter		>12					
Inertion Loss Temperature Sensitivity (dB/°C)	<0.005							
Wavelength Temperature Shifting (nm/°C)	<0.002							

Polarization Dependent Loss (dB)	<0.1
Polarization Mode Dispersion	<0.1
Directivity (dB)	>50
Return Loss(dB)	>45
Maximum Power Handling (mW)	300
Operating Temperature (°C)	-40~+85
Storage Temperature (°C)	-40~+85
Package dimension (mm) (Glass tube)	Ø5.5*25
Package dimension (mm) (Steel tube)	Ø5.5*34
Package dimension (mm) (ABS box)	A: L100 x W80 x H10 B: L120 x W80 x H18 C:L140 x W115 x H18

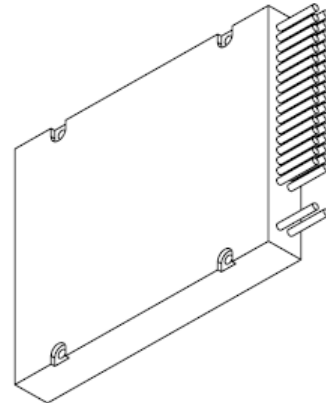
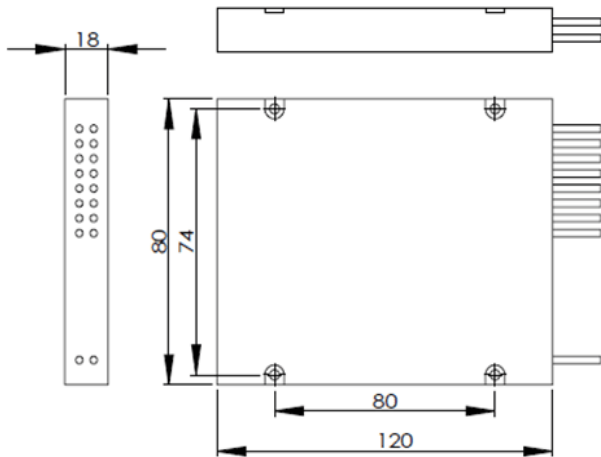
Specification may change without notice.

Above specification are for device without connectors.

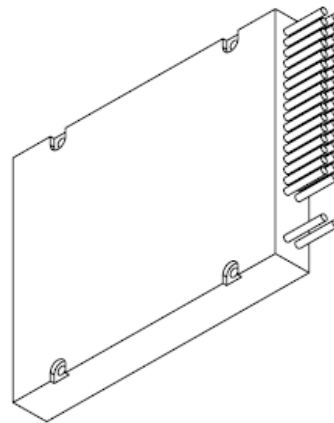
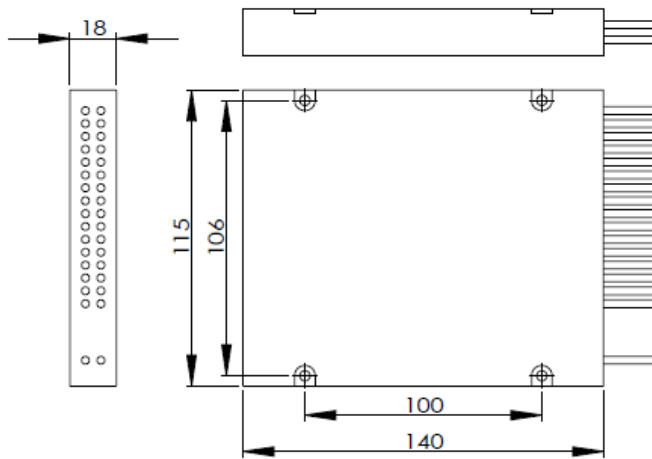
Package Dimension



A: 100X80X10 ABS box



B: 120X80X18 ABS box



C: 140X115X18 ABS box

Ordering Information

CWDM	X	XX	X	XX	X	X	XX
	Channel Spacing	Number of Channels	Configuration	1st Channel	Fiber Type	Fiber Length	In/Out Connector

	C=CWDM Grid	04=4 Channel 08=8 Channel 16=16 Channel 18=18 Channel N=N Channel	M=Mux D=Demux O=OADM	27=1270nm 47=1470nm 49=1490nm 61=1610nm SS=special	1=Bare fiber 2=900um Loose tube 3=2mm Cable 4=3mm Cable	1=1m 2=2m S=Specify	0=None 1=FC/APC 2=FC/PC 3=SC/APC 4=SC/PC 5=ST 6=LC S=Specify
--	----------------	---	----------------------------	--	---	---------------------------	---