

Flyin 4/8-CH Compact CWDM Mux/Demux module((Industrial Grade))

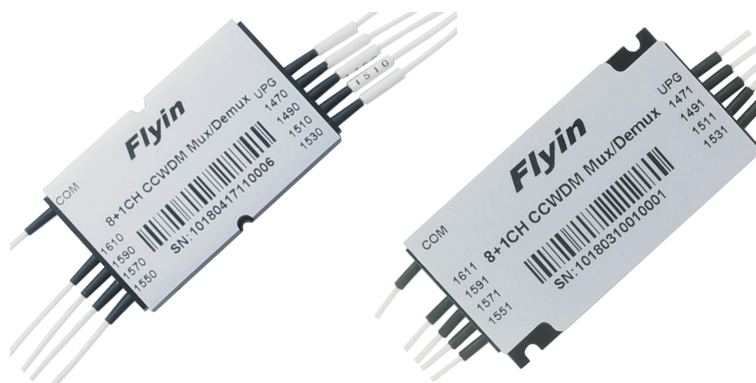
Flyin's compact size Coarse Wavelength Division Multiplexers(Mini CWDM, Compact CWDM, CCWDM), are integrated optical modules using Flyin's proprietary optical bench platform which can significantly improve optical performance, while also reduce manufacturing cost. Compare to the common standard CWDM module, Flyin's Mini CWDM takes much smaller package size. Much space can be saved in the application and meanwhile the performance and parameters are also better. All Flyin's CWDM modules are Telcordia qualified.(Meet TELCORDIA GR-1221-CORE)

Features:

- Low Insertion Loss
- Wide Passband
- High Channel Isolation
- High Stability and reliability
- Epoxy free on optical path
- Compact size

Applications:

- Line Monitoring
- WDM Network
- Telecommunication
- Cellular Application
- Fiber Optical Amplifier
- Access Network



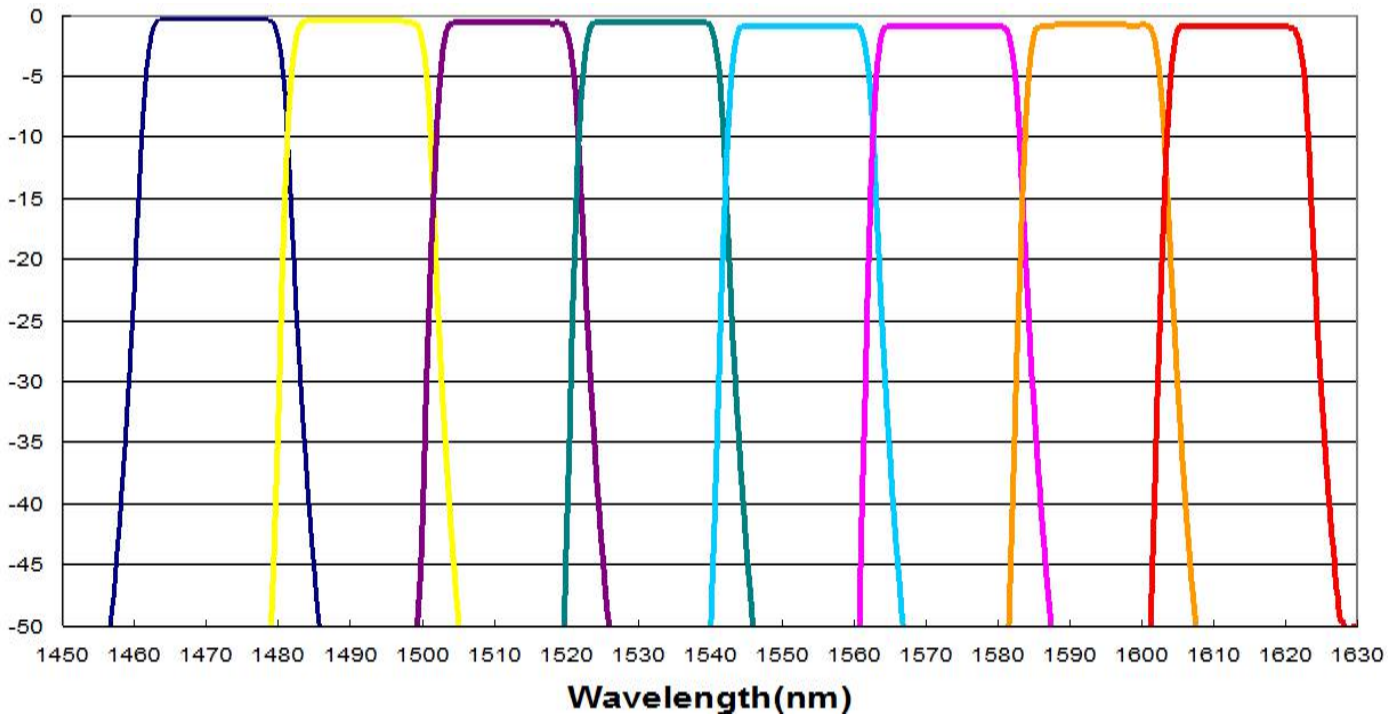
Specification:

Parameter			Unit	Values				
Channel Number			CH	4	8	8(+E1)	8(+E2)	
Center Wavelength			nm	1270, 1290...1610 or 1271, 1291...1611				
Passband		Channels	nm	+/-6.5				
		Upgrade port			1310+/-50	1260~1458		
Isolation	Mux	Adjacent Channel	dB	30				
		Non-adjacent Channel		45				
		Upgrade port		15				
	Demux	Adjacent Channel		30				
		Non-adjacent Channel		45				
		Upgrade port		15				
Insertion Loss	Channels	Max.	dB	1.3	1.8	1.8	1.8	
	Upgrade port	Max.		/	/	1.5	1.5	
Ripple in Passband			Max.	dB				0.5
Directivity			Min.	dB				55
Polarization Dependent Loss			Max	dB				0.2
Polarization Mode Dispersion			Max	ps				0.10(GD)
Return Loss			Min.	dB				50

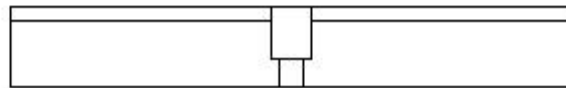
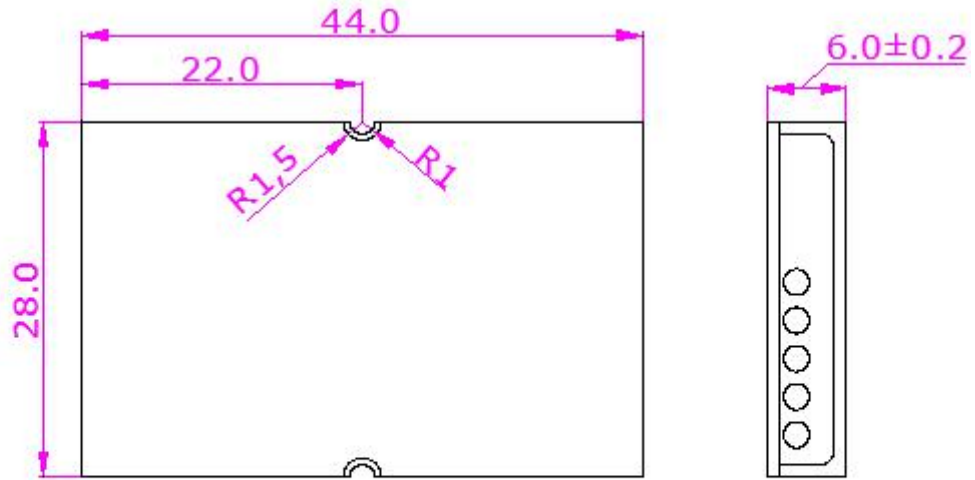
Fiber Type		Corning SMF-28 with 900um loose tube	
Fiber Length		m	1.0+/-0.1
Power Handling	Max	mW	500
Operating Temperature		°C	-40~85
Storage Temperature		°C	-40~85
Package Dimension		mm	Package A: (L)44.0x(W)28x(H)6.0
			Package B: (L)53.8x(W)28x(H)8.0

1. All specifications include the effect of operating temperature and all states of polarization.
2. Values referenced without connectors and insertion loss for a connector-pair is 0.20dB (typ.) and 0.30dB (max.).

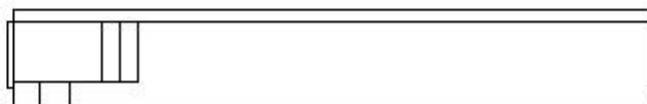
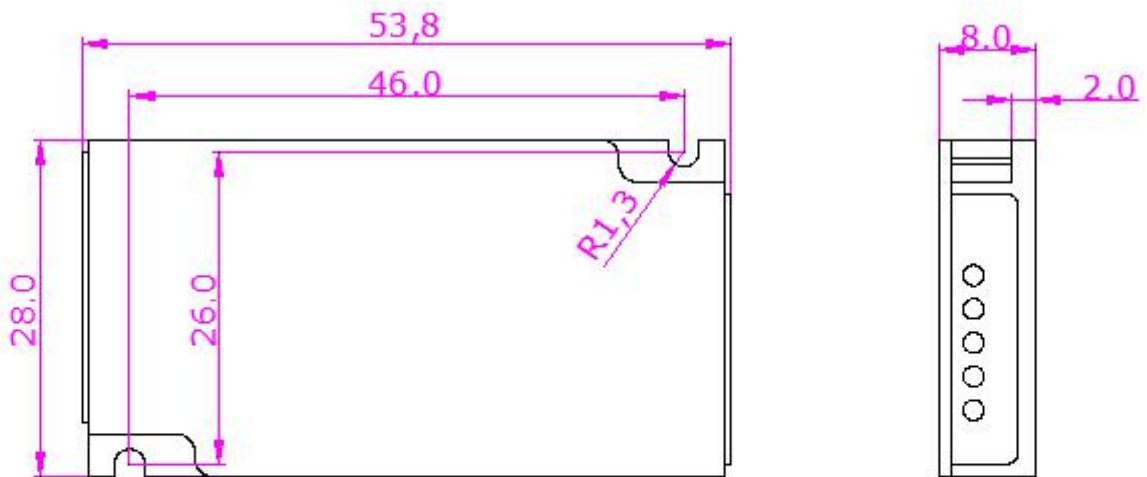
Typical Spectrum:



Package Dimension:



Package A: (L)44x(W)28x(H)6.0



Package B: (L)53.8x(W)28x(H)8.0

Ordering Information:

CCWDM	XX	X	XX	X	X	XX	X
	Number of Channels	Express Port	1st Channel	Fiber Type	Fiber Length	In/Out Connector	Package Type
	04= 4 Channel 08= 8 Channel 0X= X Channel SS= Special	0=None 1= 1310 (+/-50nm) 2= 1260~1458nm S=Special	27=1270nm 47=1470nm 49=1490nm 61=1610nm SS=Special	1=Bare fiber 2=900um loose tube	0=0.5m 1=1m 2=2m S=Specify	0=None 1=FC/APC 2=FC/PC 3=SC/APC 4=SC/PC 5=ST 6=LC/UPC 7=LC/APC 8=MU S=Specify	A=Package A B=Package B

版本记录/Revision History

Revision	Notes	Authors	Checked	Approval	Date
Rev A0	首次制定/New release	Eric Wang			2018.04.17