

Flyin Multimode Fiber Coupler

Flyin Optronics' Multimode Fiber Optic Coupler(MM FBT Coupler) are fabricated from Corning's multimode fibers with core diameters of 50um ,62.5um or 100um. Standard multimode couplers are commonly used in short distance communications with LED sources operating at 1310nm or 850nm. Multimode couplers are wavelength independent over a broad range of wavelengths (600nm to 1610nm) with uniform modal power distribution launch condition, multimode tree/star couplers NX4(n=1,2,4) NX8(n=1,2,8) NX16(n=1,2,16) port ratios are available.

Multimode coupler have been extensive used to split and mix optical signals in CATV, LANs and all other kinds of optical communication systems.

All Flyin Optronics' products are Telcordia qualification tested.

Features

- Low Excess Loss
- Uniform Power Splitting
- Rugged Package
- Excellent Environmental & Mechanical Stability



Applications

- Long-haul Telecommunications
- Digital, Hybrid and AM-Video Systems
- CATV Systems
- High Speed LocalArea Networks
- Fiber Sensors

Performance Specifications

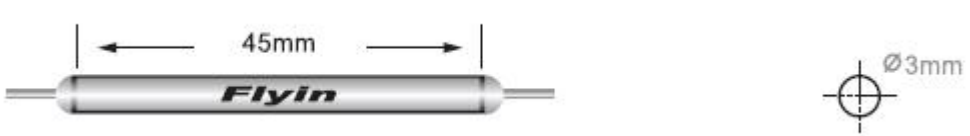
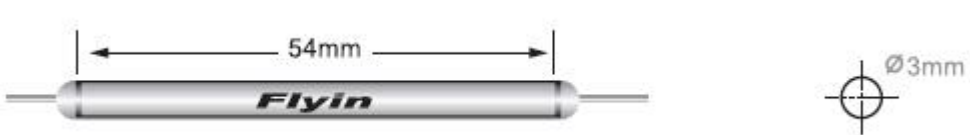

Type	Multimode Standard Fiber Couplers	
Coupling Ratio (%)	50/50	
Grade	P	A
Excess Loss (Typical) (dB)	0.7	1.0
Max. Insertion Loss (dB)	4.2	4.5
Uniformity (Max.) (dB)	0.6	0.8
Directivity (Min.) (dB)	35	
Operating Wavelength (nm)	800-1600	
Central Wavelength (nm)	850 or 1310 or 1550	
Operating Temperature (°C)	-20 - +85	
Fiber Type	Corning multimode 50/125, 62.5/125	
Fiber Pigtail Length (m)	1 m or custom length	
Port Configuration	1x2 or 2x2	
Dimensions (mm)	Package D, E, G	

Coupling Ratio/insertion Loss Conversion Chart

Coupling Ratio	Insertion Loss	
	Premium	A Grade
40/60	5.2/3.3	5.6/3.7
30/70	6.5/2.6	7.0/3.0
20/80	8.4//2.0	8.8/2.5
10/90	11.8/1.5	12.3/2.0

*Measured under the stable mode condition with LED light source.

Package Dimensions & Pigtail Style

Multimode Dimensions:	
Package D: 3mm x 45mm stainless steel tube	
Package E: 3mm x 54mm stainless steel tube	
Package G: 10mm x 20mm x 90mm case	
Pigtail Style:	
Package D:	250um bare fiber
Package E:	250um bare fiber or 900um loose tube
Package G:	2mm,3mm cable or 900um loose tube

Ordering Information

X	X	XX	XX	XXXX	X	X	X	XX
Type	Grade	Wavelength	Coupling Ratio	Port	Package	Pigtail Style	Fiber Type	In/Out Connector
M	P A	85=850nm 13=1310nm 15=1550nm	50=50/50 30=30/70 10=10/90 05=05/95 01=1/99 AV=Tree Coupler	0102=1x2 0202=2x2 0103=1x3 0303=3x3 0104=1x4 0116=1x16 1616=16x16	D=D type E=E type G=G type	1=Bare Fiber 2=900µm Loose tube 3=3mm Cable 4=2mm Cable	2=50/125um 3=62.5/125um 5=Special fiber	0=None 1=FC/APC 2=FC/PC 3=SC/APC 4=SC/PC 5=ST 6=LC X=Special



				3232=32x32				
--	--	--	--	------------	--	--	--	--